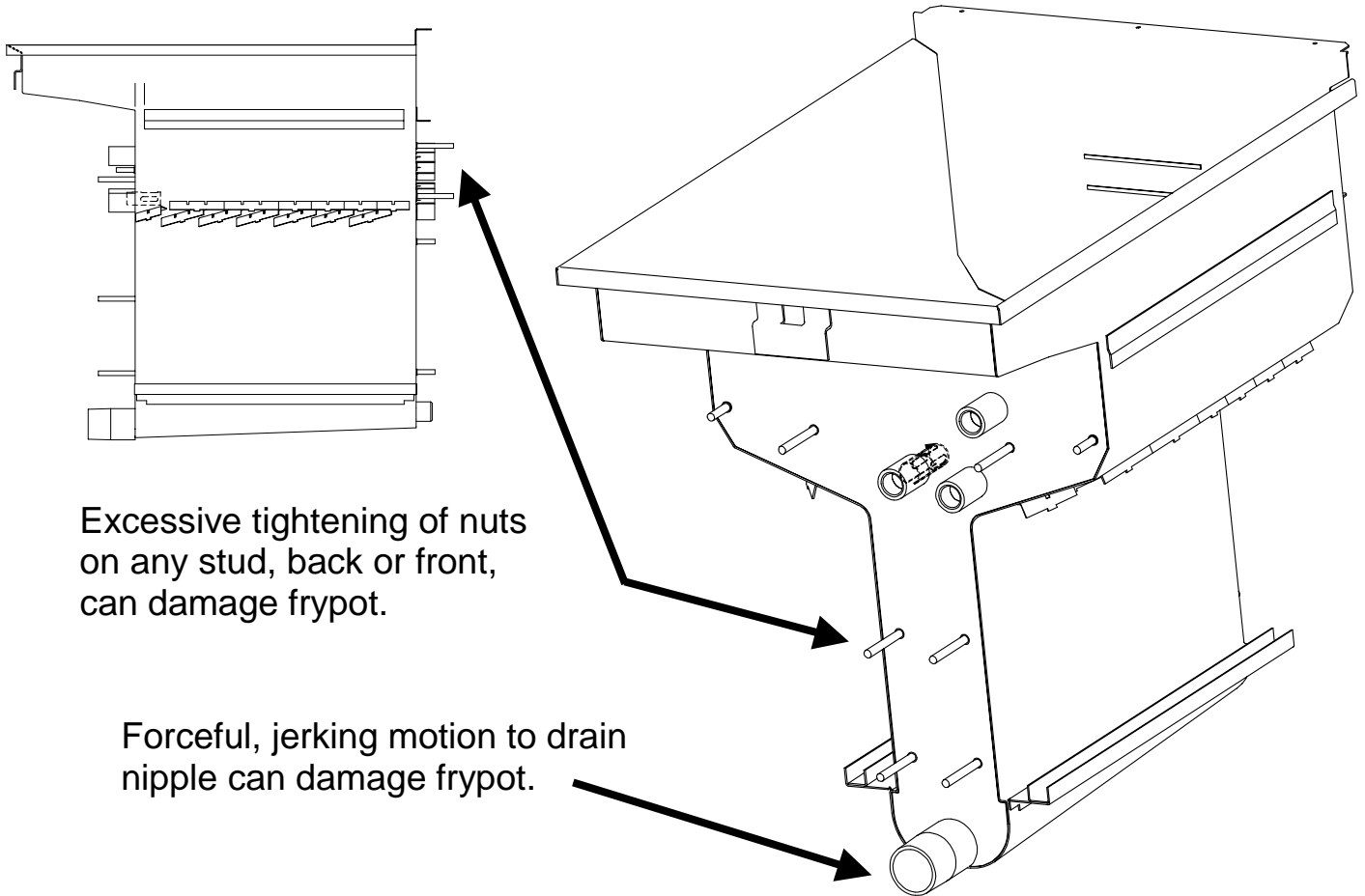


# CAUTION



Excessive tightening of nuts on any stud, back or front, can damage frypot.

Forceful, jerking motion to drain nipple can damage frypot.

◆ **Apply only steady, even pressure when aligning drain nipples.**

*Do not jerk on extensions used to align drain nipples.*

◆ **Burner rails should not strike the fryer cabinetry forcefully during installation.**

*Lower the frypot carefully into the fryer cabinetry.*

◆ **Do not over tighten stud nuts.**

*One turn past hand tight is sufficient torque.*